

A European designed system offering above ground bottom running with multiple threshold options. The hardware and system are bespoke designed to give maximum carry capacity, whilst offering slim sightlines, oversized doors and minimum profiles.

The system is easily installed, the doors can open in or out using the same profiles, the sash and outer frame are both the same depth and give excellent thermal values. It is a truly inline system with bespoke hardware resulting in a high performance and very desirable, attractive door.



Technical Information >

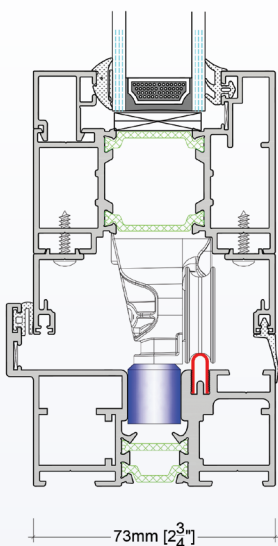


- Maximum weight 120KG per panel
- Maximum height 3000mm
- Maximum width 1200mm
- Multiple threshold options
- Adjustable jamb option
- Ultra smooth bottom running
- Slim sightlines
- Dual Colour & Special Finishes available
- Intermediate doors have concealed shoot bolt locking with single point handle. Key locking optional
- Option for access from outside on any configuration
- Colour matched handles and magnetic door holders
- Every conceivable configuration achievable up to a maximum 7Left 7Right with bottom rolling
- Opening either in or out using the same profiles
- 30mm polyamide thermal break for increased thermal values: 1.4 W/(m2.K)
- Inline system with sash and outer frame the same depth
- Document Q Compliant, Including PAS 24 and BS6375 Part 1 Weather Testing

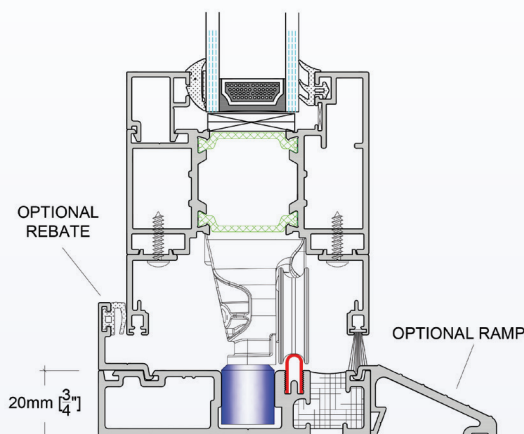
PlusFold

Bespoke Aluminium Bi-fold Door Systems

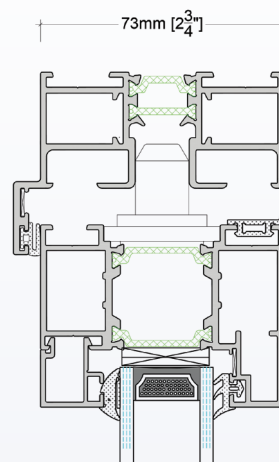
Product Detail Drawings >



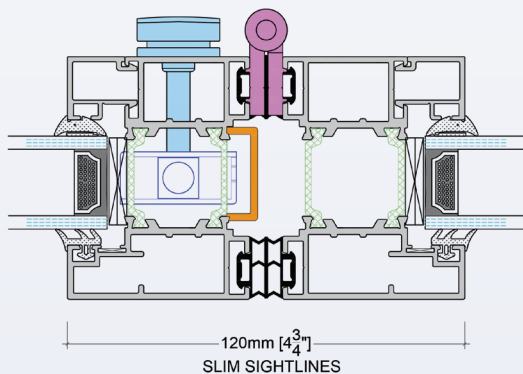
Standard threshold detail



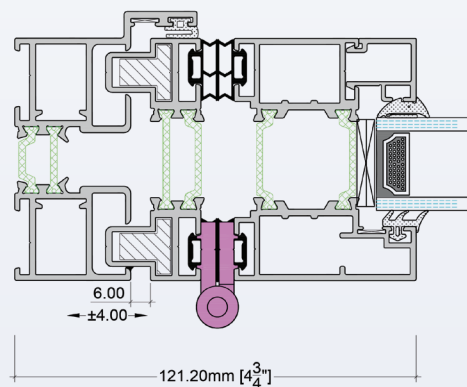
Low threshold detail



Head detail



Intermediate detail integrated lock



Outer frame detail with adjustable jamba

Units 14-18
Moor Park Industrial Centre
Tolpits Lane, Watford
Hertfordshire, WD18 9EZ

T 01923 225855
F 01923 256106
E sales@apluswindows.co.uk
www.apluswindows.co.uk



A Plus Aluminium is a trading name of A Plus Windows and Doors Limited, a company registered in England No: 01983401
Registered Office: Units 14-18, Moor Park Industrial Centre, Tolpits Lane, Watford, Hertfordshire, WD18 9EZ. VAT No: 895 2841 78